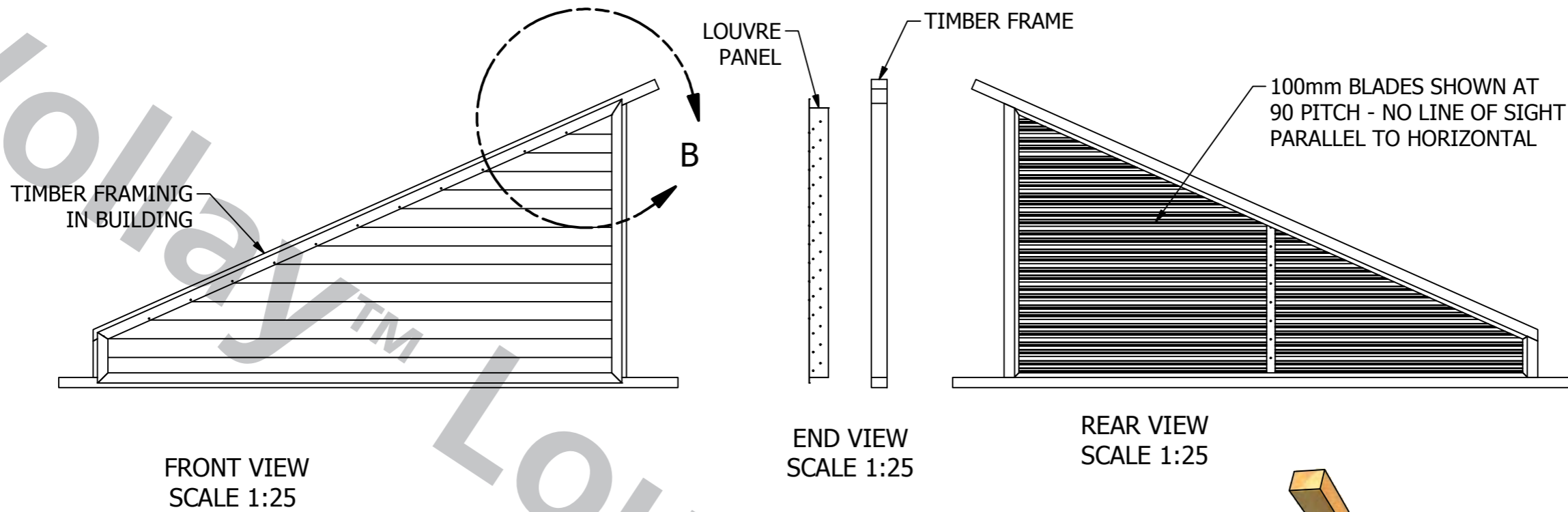




Perimeter =
Area =

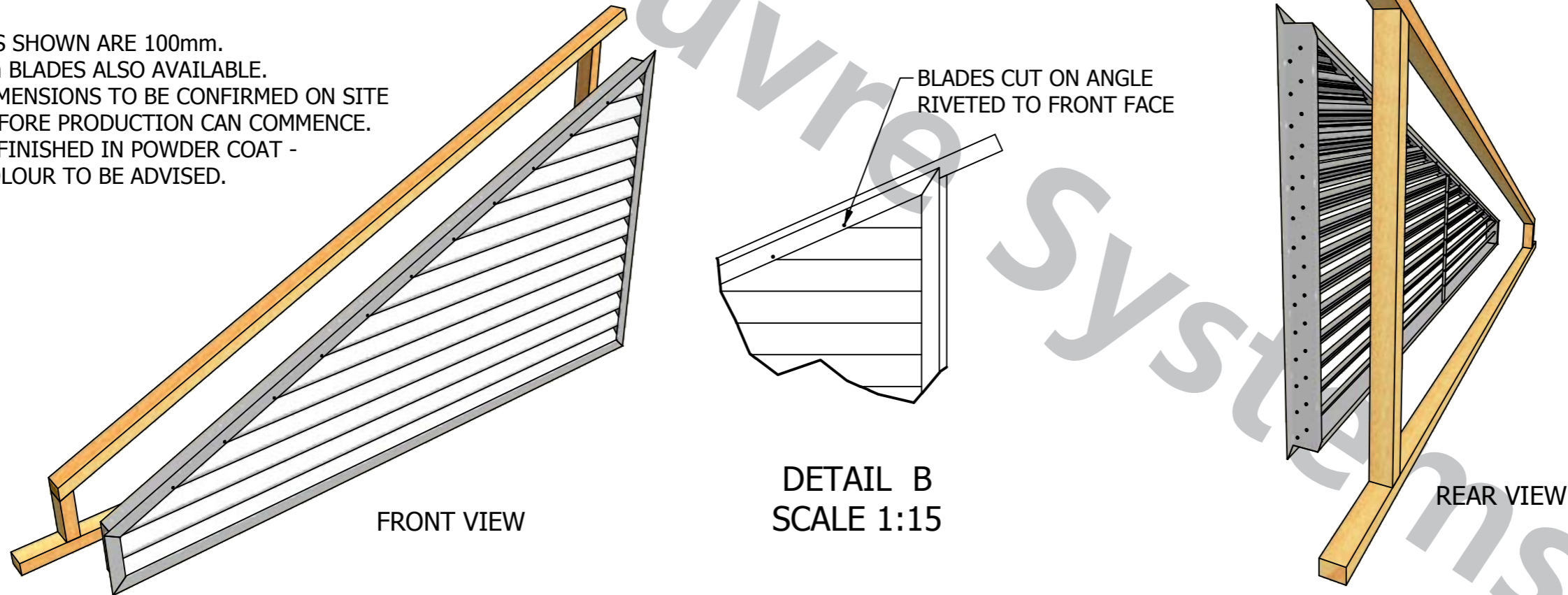
Material =
Temper =

Mass =



NOTES:

1. BLADES SHOWN ARE 100mm.
2. 150mm BLADES ALSO AVAILABLE.
3. ALL DIMENSIONS TO BE CONFIRMED ON SITE BEFORE PRODUCTION CAN COMMENCE.
4. TO BE FINISHED IN POWDER COAT - COLOUR TO BE ADVISED.



Description V1000 VENT LOUVRE

Job COMMERCIAL

Date Drawn 22-01-09

Part Number VARIOUS

Drawn By JW / MPJ

Scale

Drawing Number NYA/1