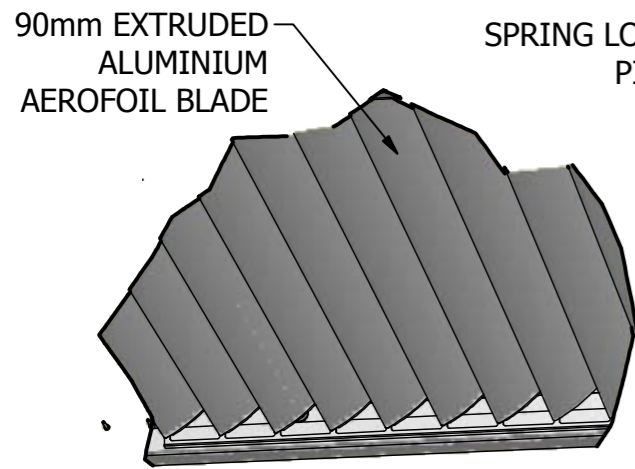




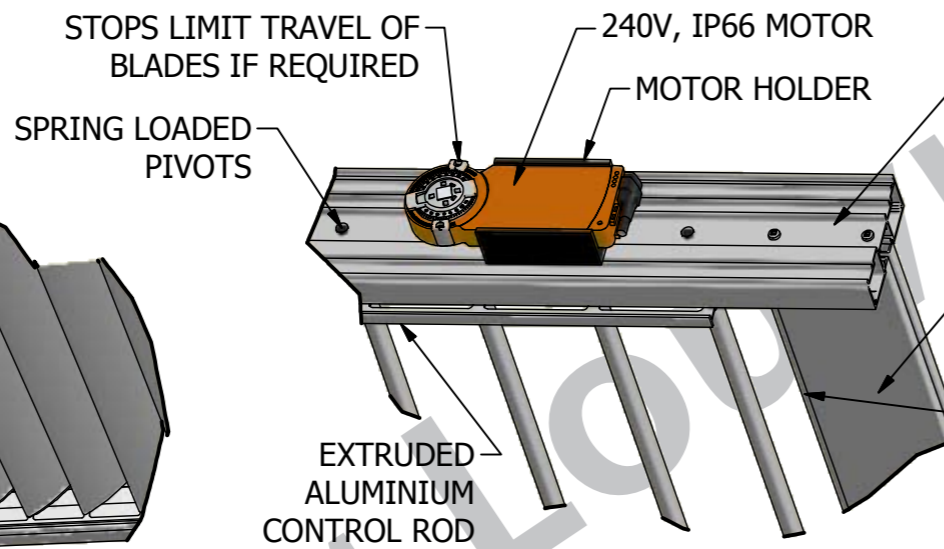
Perimeter =
Area =

Material =
Temper =

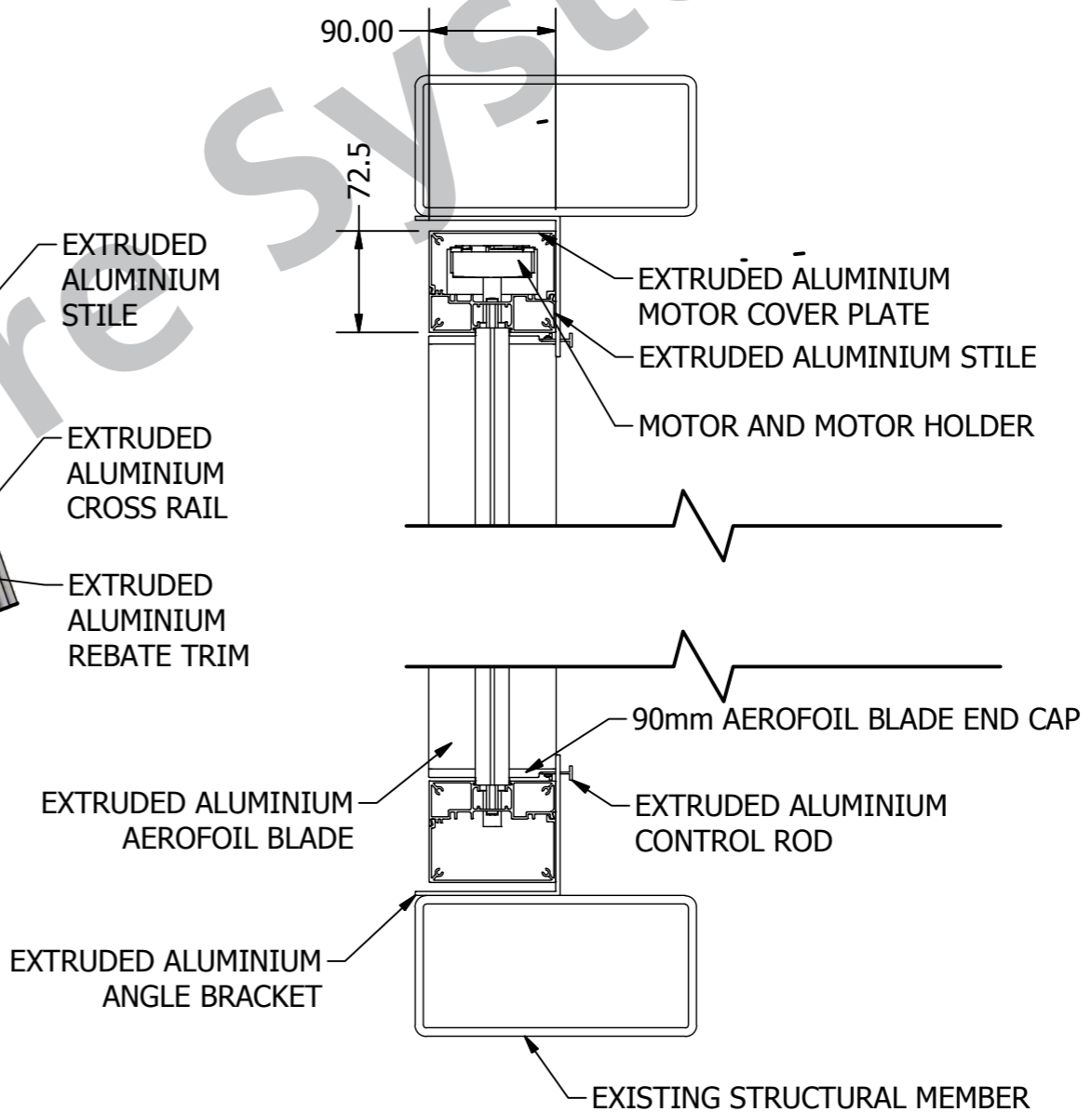
Mass =



DETAIL A
SCALE 1:10



MOTOR COVER REMOVED
SCALE 1:5



NOTES:

1. ALL FIXINGS USED IN ASSEMBLY ARE STAINLESS STEEL.
2. BANKS OF BLADES OPERATE TOGETHER, BUT CAN BE CONTROLLED SEPARATELY (OPTIONAL).

Description V3000 90MM MOTORISED SKYLIGHT FORMAT

Job COMMERCIAL

Date Drawn 03-03-09

Part Number VARIOUS

Drawn By JW / MPJ

Scale

Drawing Number 90M SL/1