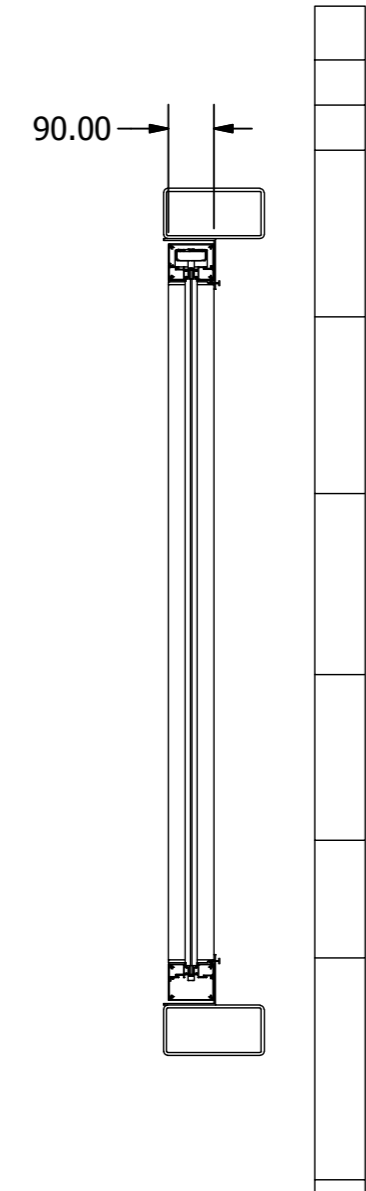
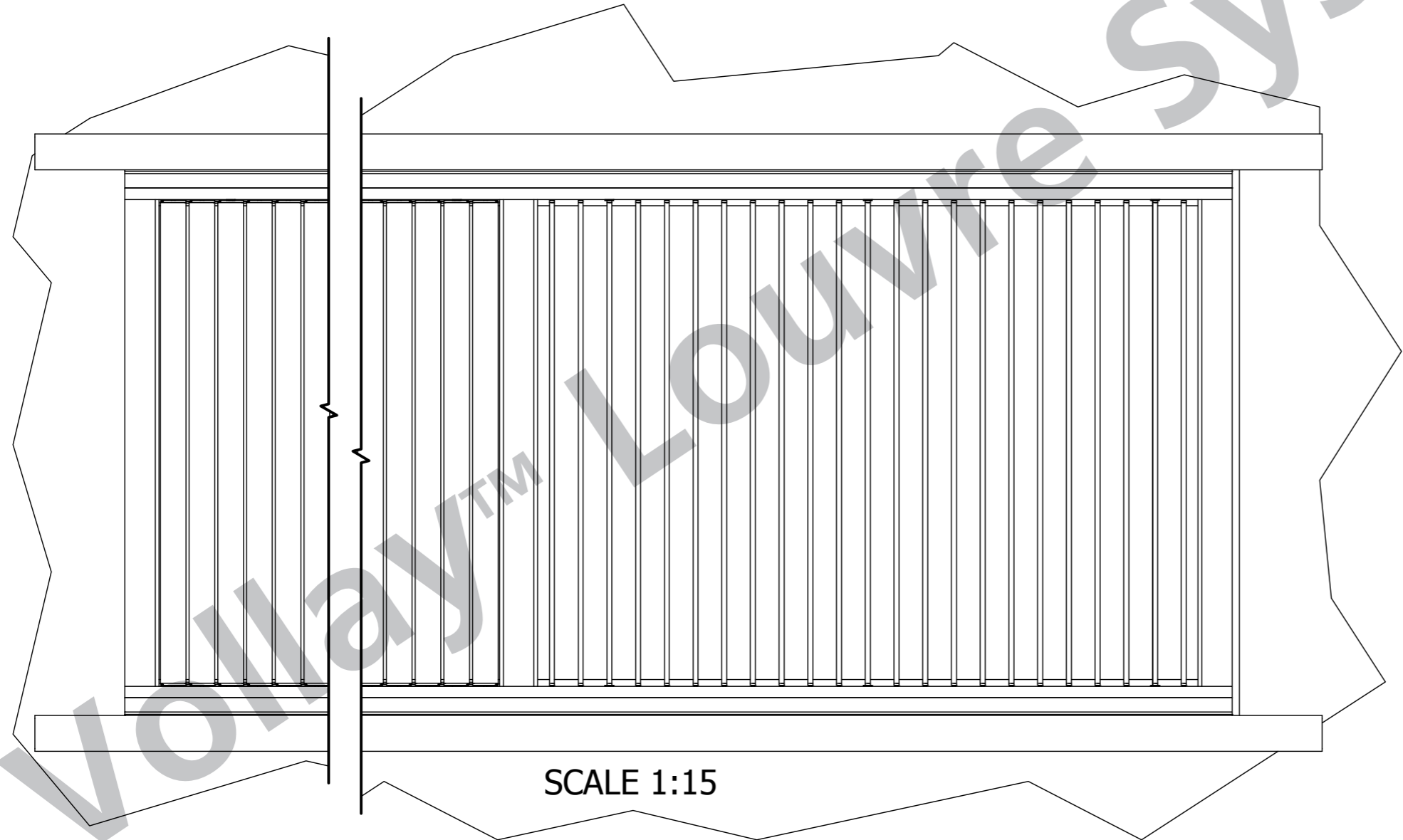
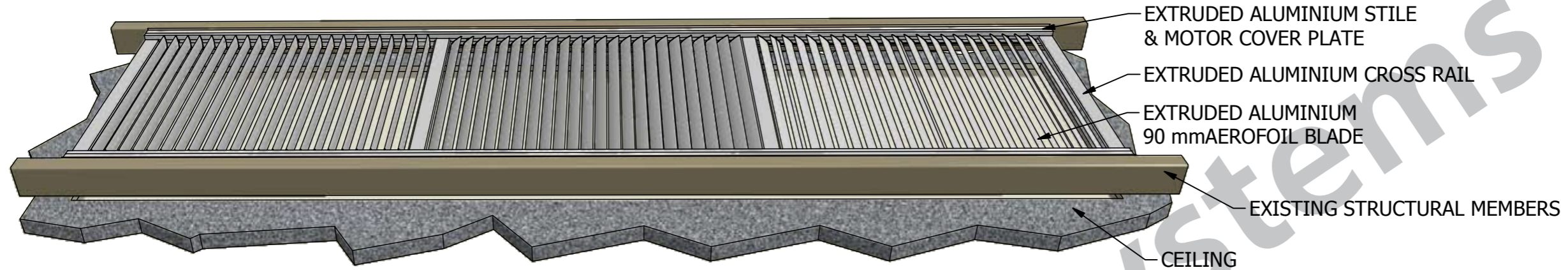


Perimeter =  
Area =

Material =  
Temper =

Mass =



Description V3000 90MM MOTORISED SKYLIGHT FORMAT		Scale	
Job COMMERCIAL		Drawing Number 90M SL/2	
Date Drawn 03-03-09	Drawn By JW / MPJ		
Part Number VARIOUS			

