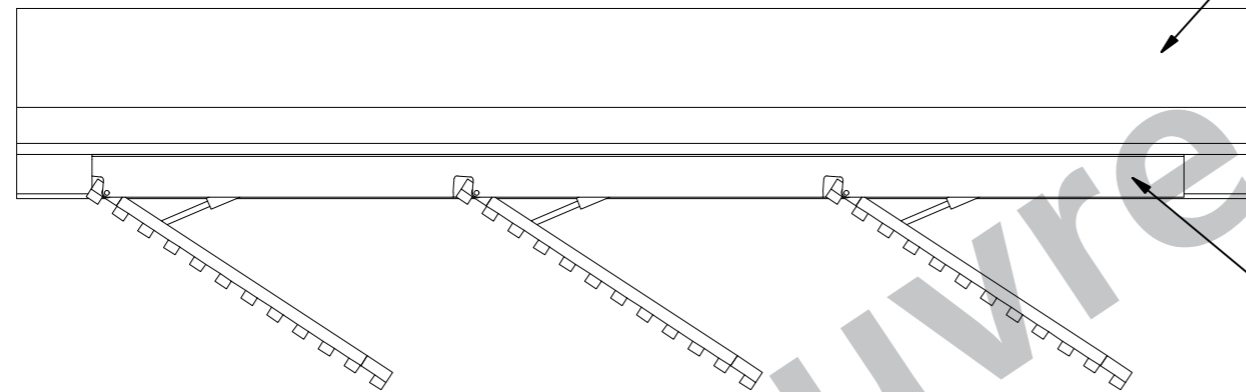
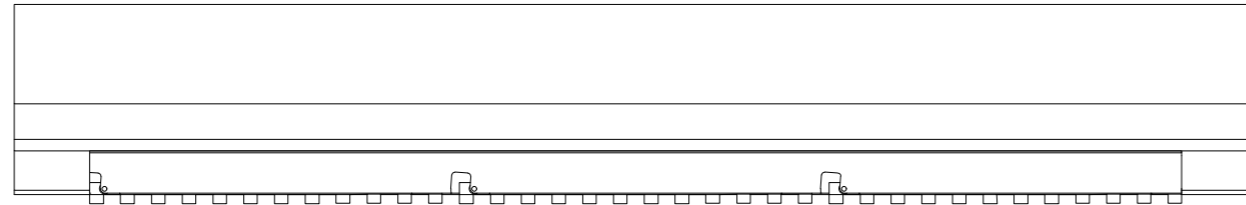


Perimeter =
Area =

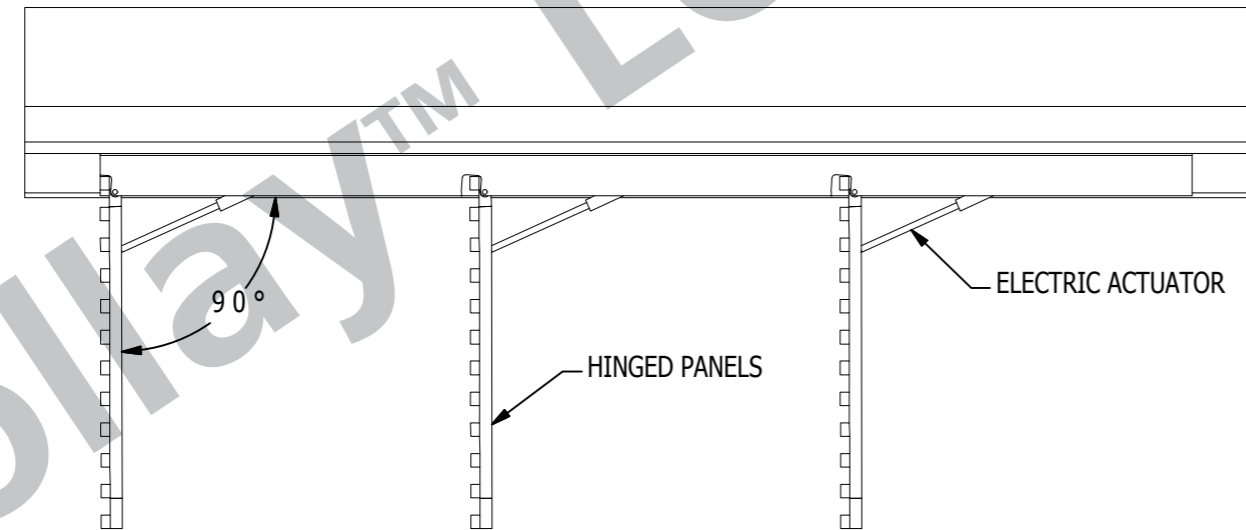
Material =
Temper =

Mass =



ROOF

TOP STRUCTURAL MEMBER
WITH PANEL PIVOTS



90°

ELECTRIC ACTUATOR

HINGED PANELS

PLAN VIEW
SHOWING PANELS IN
VARIOUS POSITIONS

Description V6000 TRI - PANEL SCREENS - ACTUATOR OPERATED

Job COMMERCIAL

Date Drawn 05-02-09

Drawn By JW / MPJ

Scale

Part Number VARIOUS

Drawing Number TPS M/3

